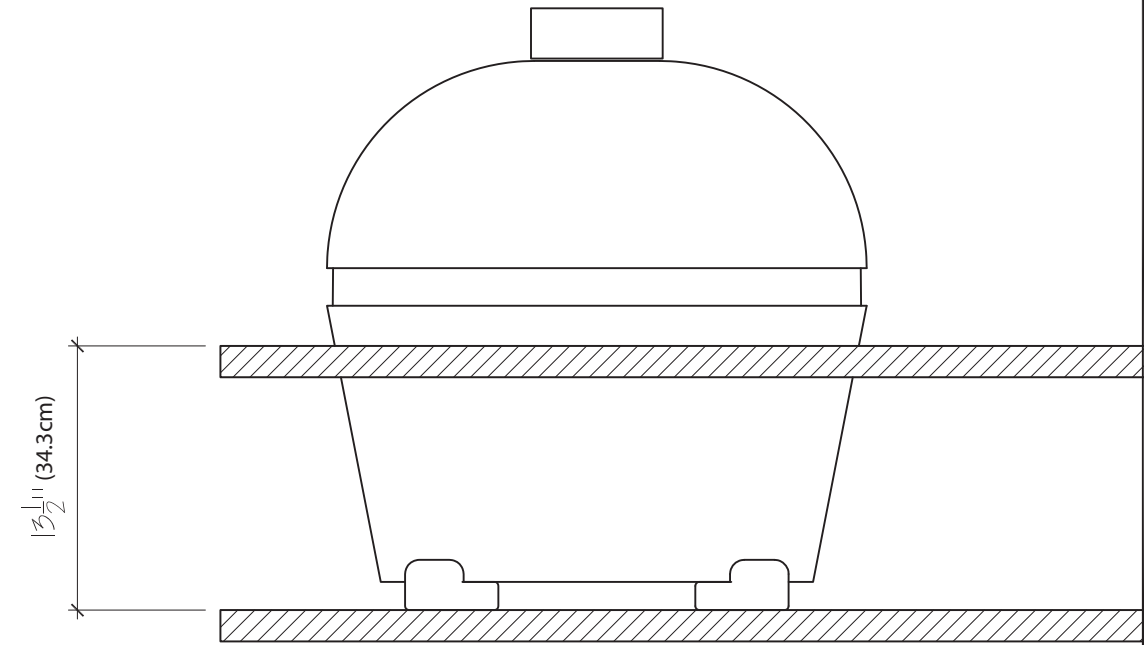


**FIG. A - PLAN VIEW CUT-OUT**



**FIG. B - ELEVATION - HT. FROM TOP SURFACE TO SUPPORTING SHELF**

TO HAVE THE LIP OF GRILL LOWER TO THE COUNTERTOP SURFACE USE THE TEMPLATE WITH THE HINGE NOTCH

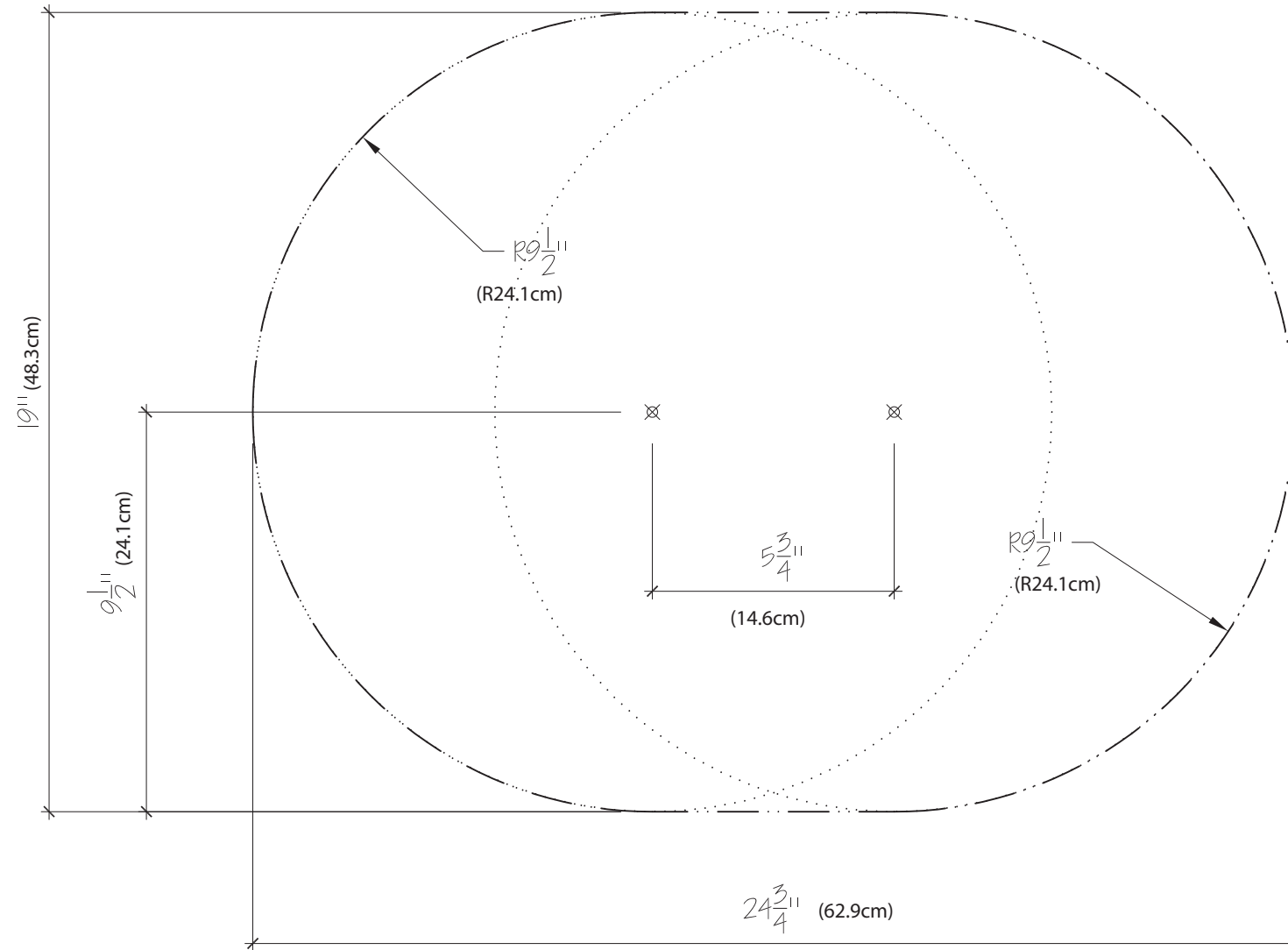
DATE 06.13.2013

REVISIONS

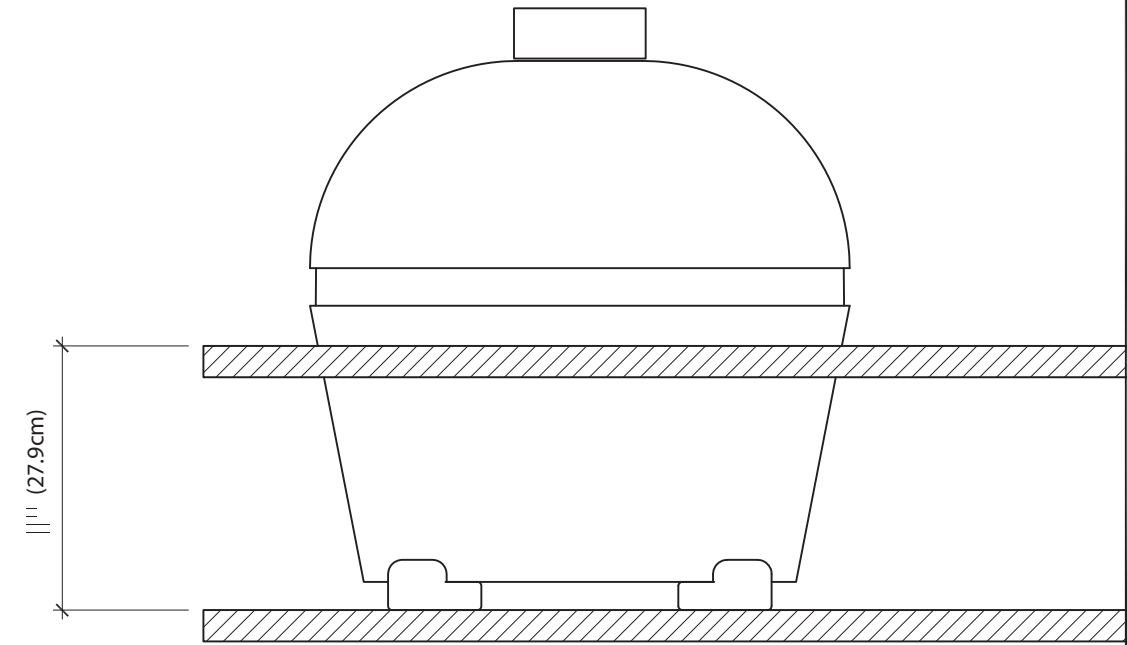
DATE

SCALE SCALE - AS SHOWN

JOB NO. DRAWN BY G.L.W.



**FIG. A - PLAN VIEW CUT-OUT**



**FIG. B - ELEVATION - HT. FROM TOP SURFACE TO SUPPORTING SHELF**

DATE 06.13.2013

REVISIONS

DATE

SCALE SCALE - AS SHOWN

JOB NO. DRAWN BY G.L.W.